

## HyGenikx Features and Benefits: Dual Wave Lamp Models for ... General Commercial Environment

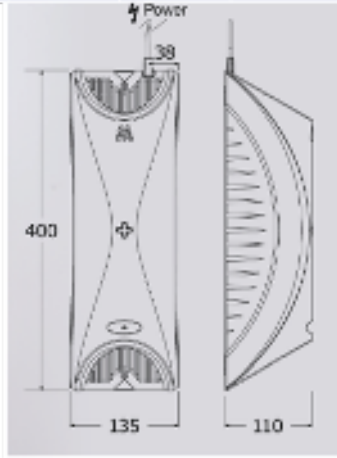
HyGenikx is an advanced and compact, wall mounted air and surface sanitizer system. Features & Benefits include..

- Around the clock (24/7) infection control for customers, employees and staff
- Safe to use and safe for the environment
- Approved for installation in occupied work areas
- Significantly improves hygiene standards to levels impossible to maintain with traditional cleaning methods alone
- Kills bacteria, viruses, molds, fungi and volatile organic compounds (VOC's), both in the air and on exposed surfaces, even in the hardest to reach places
- Kills various strains of viruses; Escherichia coli (E. coli), Staphylococcus aureus (S. aureus), Clostridium difficile (C. difficile), Aspergillus fumigatus, and other primary sources of infections
- Proven to deplete harmful Listeria monocytogenes and Listeria innocua from surfaces to undetectable levels
- Eradicates unpleasant odors by tackling them at source
- Low power consumption – 120 volt / 9-13 Watts
- DIY Easy to change lamp and backup battery
- Polycarbonate shell – is easy to keep clean
- Available in white or titanium finish
- Models to suit various applications including: Front-of-house food service operations; Washrooms; Classrooms; Nursing homes & Retirement facilities; Hospital rooms; Doctors' offices; Veterinary clinics; School locker rooms; Retail establishments; Personal residences; etc.
- CE mark / SGS Certified



## Model Dimensions

Model #	Height	Width	Depth	Weight
All HGX Models	400 mm	135 mm	110 mm	1.9 Kg
All HGX Models	15.75 in.	5.3 in.	4.3 in.	4.2 lbs.



## Short-Form Specification

Shall be **HyGenikx** model: HGX- \_\_\_\_\_ - NA; Air and surface sanitizing system for destroying viruses, bacteria, VOC's, mold, and fungi and eradicate unpleasant odors. Wall mounted; 120 volt / 9-13 watts; c/w cord and plug; measuring 15.3/4" high x 5 1/3" wide x 4 1/3" deep. Utilizes a combination of Germicidal Irradiation, PCO – Photo Catalytic Oxidation and Dual Waveband UV Technology for providing hygiene and safety protection for customers and staff. Approved for installation in people occupied areas, helping to reduce the transmission of infectious diseases.

## Technical Data Dual Wave Lamp Models

<b>General Commercial Models:</b> HGX-W20S-NA HGX-T20S-NA HGX-W30S-NA HGX-T30S-NA	<b>General Commercial Environment Models:</b> This would consist of such environments as ... Front-of-house food service operations; Washrooms; Classrooms; Nursing homes & Retirement facilities; Hospital rooms; Doctors' offices; Veterinary clinics; School locker rooms; Retail establishments; Personal residences; etc.	
<b>Region</b>	USA & Canada	
<b>Air purifying technology</b>	Nano-titanium dioxide photocatalytic oxidation + UV-C	
<b>UV-C lamp tube</b>	1 x 18w PLL composite tube	
<b>UV-C intensity inside chamber</b>	15000 µW/cm <sup>2</sup>	
<b>UV-C lamp tube life</b>	Approx. 8000+ hours	
<b>Air residence time inside chamber</b>	> 0.5 seconds	
<b>Number of photocatalytic baseplates</b>	4 pieces	
<b>Noise level @ 1 metre</b>	<39dB (when alarm is sounding)	
<b>Air flow rate</b>	705 ft <sup>3</sup> /hr / 20 m <sup>3</sup> /hr	
<b>Suggested coverage</b>	105 -- 320 ft <sup>2</sup> / 10 -- 30 m <sup>2</sup>	105 -- 320 ft <sup>2</sup> / 10 -- 30 m <sup>2</sup>
<b>Installation</b>	Wall mount	
<b>Housing material</b>	Aluminum alloy – internal, polycarbonate front, ABS base	
<b>Color</b>	Front – White/Titanium, Back – Grey	
<b>UV-C lamp tube model</b>	S – 18/27/54mg F – 27/54/80 mg R – 100 mg	O – 9/18 mg
<b>Battery Specifications</b>		
All HyGenikx's models <b>HGX - W/T...</b> are powered by ER14250 battery in addition to Main power supply		
<b>Type</b>	Lithium Thionyl Chloride	
<b>Voltage</b>	3.6V	
<b>Electrical Specifications</b>		
<b>Power Consumption</b>	9-13W	
<b>Voltage</b>	120V	
<b>Frequency</b>	60Hz	
<b>Input supply requirements</b>	To be connected into suitably isolated fused spur taking power polarity into account (a plug can be used, but is not supplied)	
<b>Cordset</b>	2 Core 18AWG polarity specific (L+N), 5 feet total length, UL E254458 NISPT-2	
<b>Input protection</b>	Microswitch actuated single pole safety switch	
<b>Dimensions &amp; Weight</b>		
<b>Dimensions</b>	15.7" (L) X 5.3" (W) X 4.3" (D)	
<b>Weight</b>	4.2 Pounds	

Environment	Area Covered -- ft <sup>2</sup> -- Room Size	Model Number	Color
<b>General Commercial Environment</b>	100 ft <sup>2</sup> to 215 ft <sup>2</sup>	<b>HGX-W20S-NA</b>	White
		<b>HGX-T20S-NA</b>	Titanium
	325 ft <sup>2</sup>	<b>HGX-W30S-NA</b>	White
		<b>HGX-T30S-NA</b>	Titanium

May 2021

HyGenikx Technologies reserves the right of design improvement or modification, as warranted without notice.



9401 Mentor Avenue; Suite #163  
Mentor, Ohio 44060 -- U.S.A.  
www.hxttechnologies.com

